














ARS Type Fuse Switch Disconnectors



Distributed by:



Designation/ Item no.	Description	Picture
ACCESSORIES TO ARS 00/100		
51-823166-011	Cover for cable clamps	
1115281030T	Single adaptor 100/185 (for one piece of ARS 00/100mm) enabling apparatus to be mounted on bus bars with spacing 185 mm	
1115281029T	Double adaptor 100/185 (for two pieces of ARS 00/100mm) enabling apparatus to be mounted on bus bars with spacing of 185 mm and drill holes in bus bars every 100 mm	
53-945361-011	Hook clamp enabling mounting of core base of ARS 00/100mm on non perforated bus bars	
1115296049	Micro switch to control of current making status (0 – 1) of ARS 00/100mm type fuse switch disconnecter	
	Angle plate for protecting cover to be fixed	
51-930282-011	Leveling bottom cover	
53-945333-011	Description plate	
ACCESSORIES TO ARS 00/185		
51-945160-011	Single adaptor 185/185 (for one piece of ARS 00/185mm) enabling to level with the front line of casing of ARS 1, 2, 3	
52-945158-011	Double adaptor 185/185 (for two pieces of ARS 00/185mm) enabling to level with the front line of casing of ARS 1, 2, 3 with perforated holes every 100 mm	
51-837437-011	Cover for cable clamps	

Fuse switch disconnecter

ARS 1 250 A 690 V~
ARS 2 400 A 690 V~

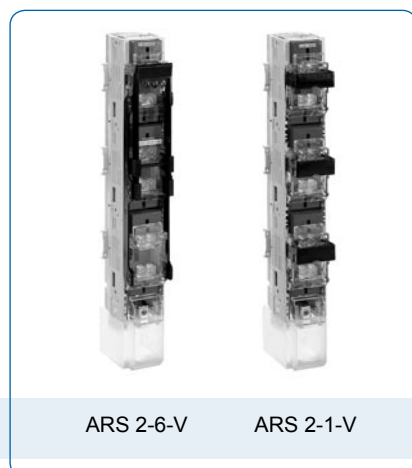
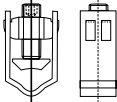







TABLE 14.
DESIGNATION OF ARS1 AND ARS2 ACCORDING TO TYPES OF OUTPUT CLAMPS

Designation apparatus	Clamp	Drawing of clamp	Cable cross-section	Torque moment
ARS 1 - * - V ARS 2 - * - V	V – clamp with M14 socket head bolt		V – Clamping ring for direct connecting a wire of cross section 35 - 120 mm ²  35 - 150 mm ²  50 - 185 mm ²  50 - 240 mm ² 	40 Nm
ARS 1 - * - M ARS 2 - * - M	M – M10 bolt (pressed washer)		Cable terminal	32 Nm

* 1 or 6

Bus bars with maximum width of 40 mm are allowed to be connected to cable clamps

Fuse switch disconnecter
ARS 3 630 A 690 V~

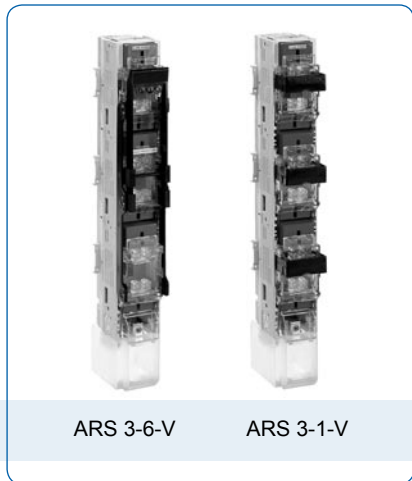
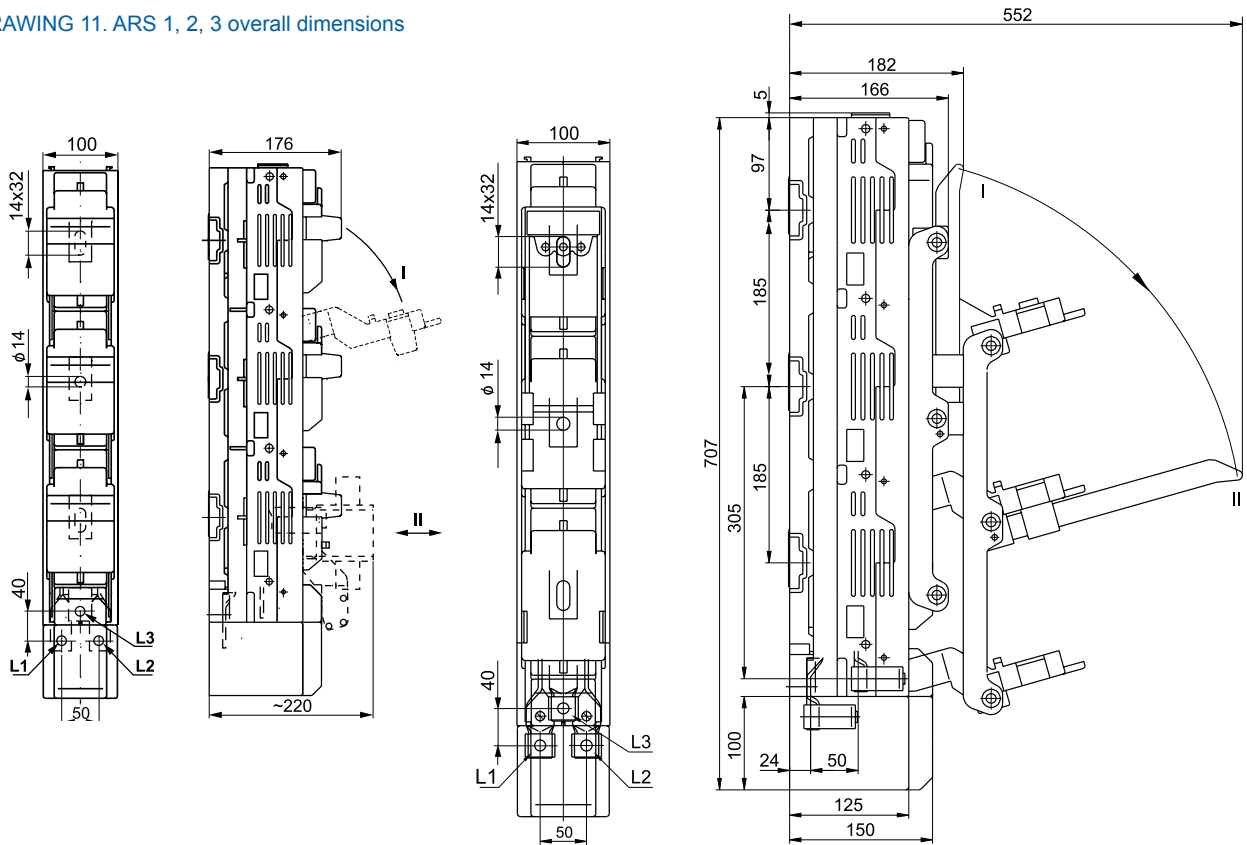


TABLE 15.
DESIGNATION OF ARS 3 ACCORDING TO TYPES OF OUTPUT CLAMPS

Designation of apparatus	Clamp	Drawing of clamp	Cross-section of wire	Torque moment
ARS 3 - * - V	V – clamp with M14 socket head bolt		V – Clamping ring for direct connecting a wire of cross section 50 - 120 mm ² 70 - 150 mm ² 70 - 240 mm ² 95 - 300 mm ²	30 Nm
ARS 3 - * - M	M – bolt M12 (pressed washer)		Cable terminal	56 Nm

* 1 or 6
 Bus bars with maximum width of 40 mm are allowed to be connected to cable clamps

DRAWING 11. ARS 1, 2, 3 overall dimensions



Fuse switch disconnecter with V type clamps – 2 x 240 mm²/1 pole

(possibility of fixing two conductors with cross section of 240 mm² for each clamp)

ARS 2 400 A 690 V~

ARS 3 630 A 690 V~

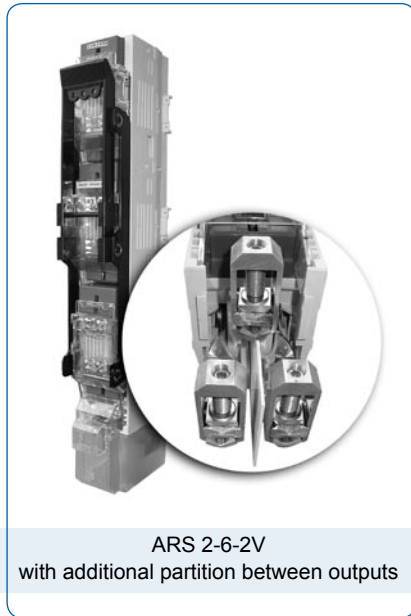
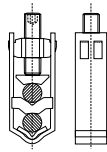
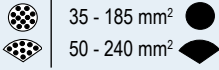
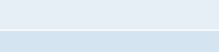
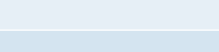
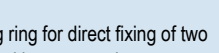
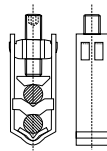
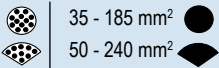
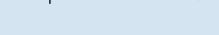
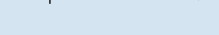

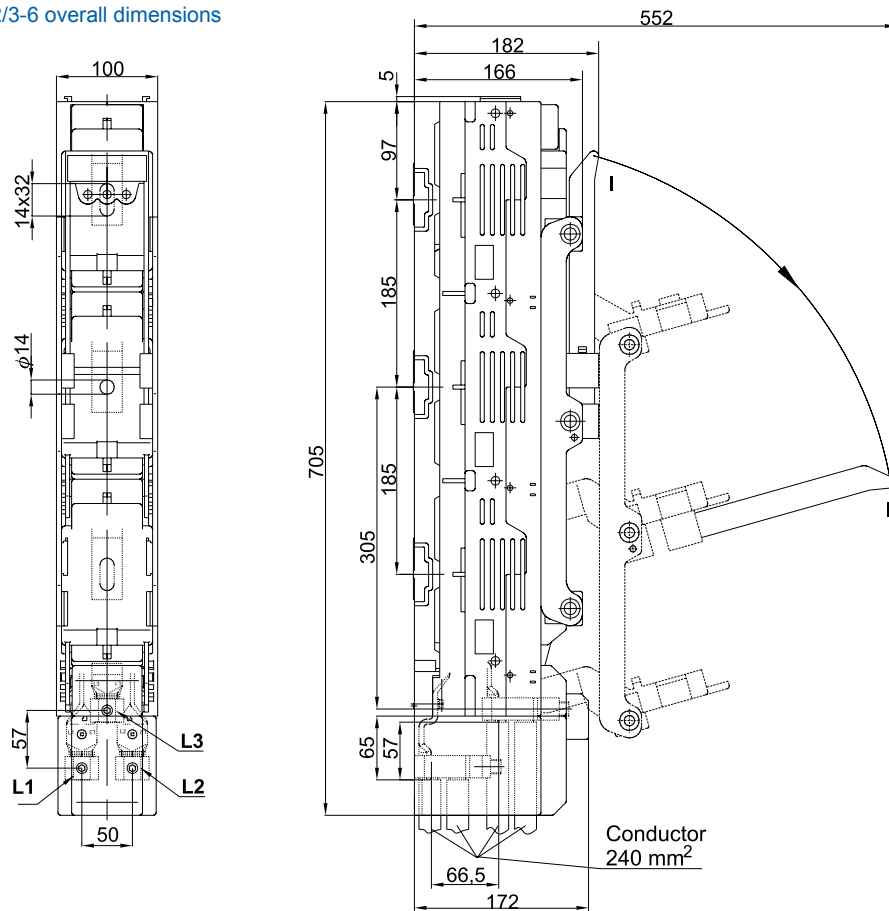


TABLE 16.
DESIGNATION OF ARS 2 X 240 mm² ACCORDING TO TYPES OF OUTPUT CLAMPS

Designation of apparatus	Terminal	Drawing of terminal	Cable cross-section	Torque moment
ARS 2 - * - 2V (400A)	HS 2/50-240		V – Clamping ring for direct connecting a wire of cross section 35 - 150 mm ²  35 - 185 mm ²  50 - 185 mm ²  50 - 240 mm ² 	40 Nm
ARS 3 - * - 2V (630A)	HS 2/50-240		V – Clamping ring for direct fixing of two wires with cross sections: 35 - 150 mm ²  35 - 185 mm ²  50 - 185 mm ²  50 - 240 mm ² 	40 Nm

* 1 or 6

DRAWING 12. ARS 2/3-6 overall dimensions



Fuse switch disconnecter with outputs at side

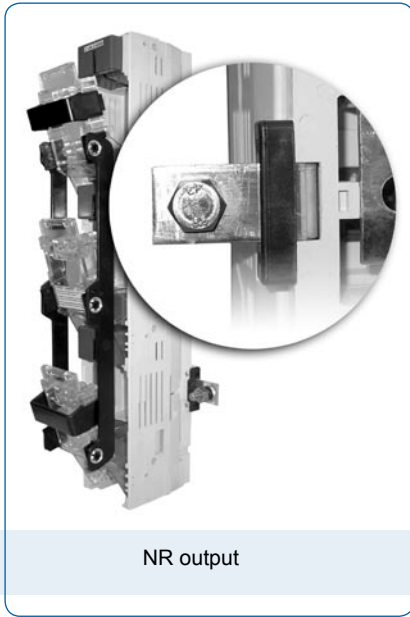
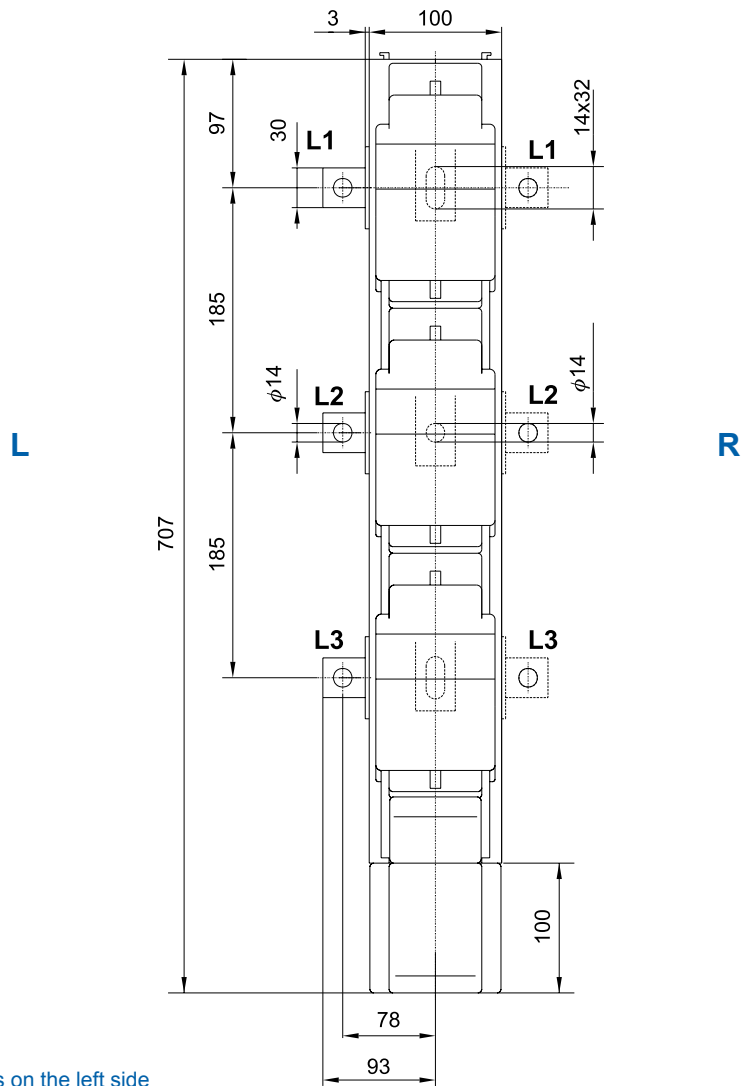


TABLE 17. DESIGNATION OF ARS OF "COUPLING" TYPE

Designation of apparatus	Clamp	Drawing of clamp	Output	Torque moment
ARS 2 - * - NL (400 A)	M12 bolt		Left side	32 Nm
ARS 2 - * - NR (400 A)	M12 bolt		Right side	32 Nm
ARS 3 - * - NL (630 A)	M12 bolt		Left side	56 Nm
ARS 3 - * - NR (630 A)	M12 bolt		Right side	56 Nm

* 1 or 6

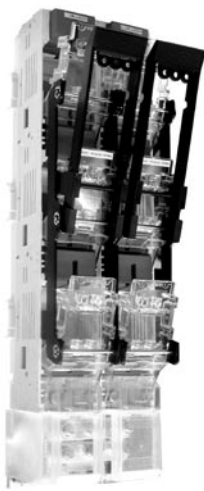
DRAWING 13. ARS with NR/NL outputs



L – output of output clamps on the left side
R – output of output clamps on the right side


Fuse switch disconnecter (double)

2 x ARS 3 (1000 A) width of module – 200 mm

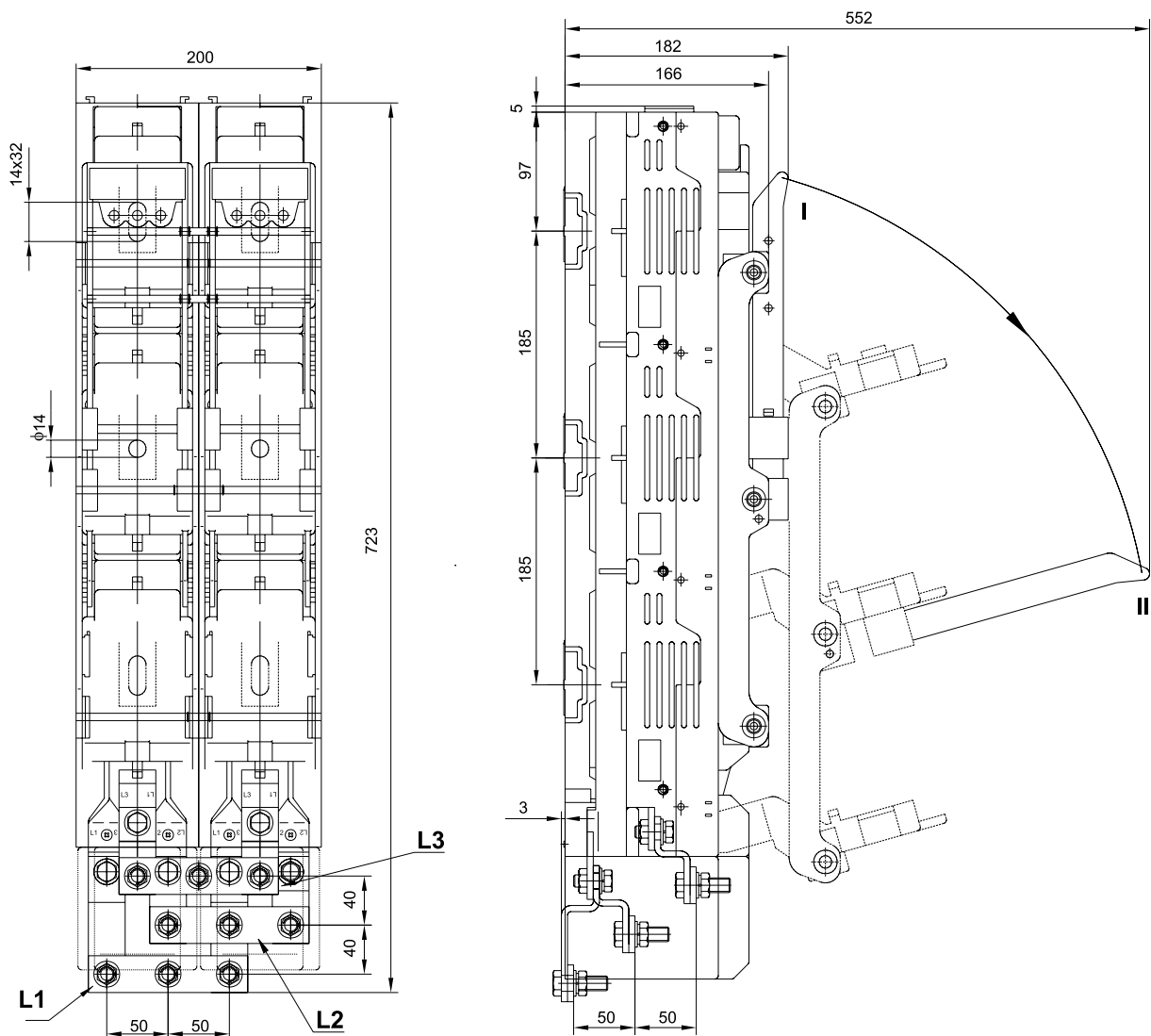


2xARS 3-6-M

TABLE 18.
DESIGNATION OF 2ARS 3 ACCORDING TO TYPES OF OUTPUT CLAMPS

Designation of apparatus	Clamp	Drawing of clamp	Cross-section of wire	Torque moment
2ARS 3-6-M (2 x 630 A)	M12 bolt		Cable terminals max. 300 mm ²	56 Nm

DRAWING 14. 2xARS 3-6-M overall dimensions



ARS type fuse switch disconnecter with outputs at rear

ARS 2 400 A 690 V~

ARS 3 630 A 690 V~



TABLE 19.
DESIGNATION OF ARS ACCORDING TO TYPES OF OUTPUT CLAMPS

Designation of apparatus	Clamp	Drawing of clamp	Cross-section of wire	Torque moment
ARS 2 - * - ST (400 A)	S-bridge (2 x M8)		70 - 240 mm ²	20 Nm
ARS 3 - * - ST (630 A)	S-bridge (2 x M8)		70 - 240 mm ²	20 Nm
ARS 2 - * - NT (400 A)	N - M 12 bolt		max. 240 mm ²	32 Nm
ARS 3 - * - NT (630 A)	N - M 12 bolt		max. 240 mm ²	56 Nm

* 1 or 6

DRAWING 15. ARS with outputs at rear

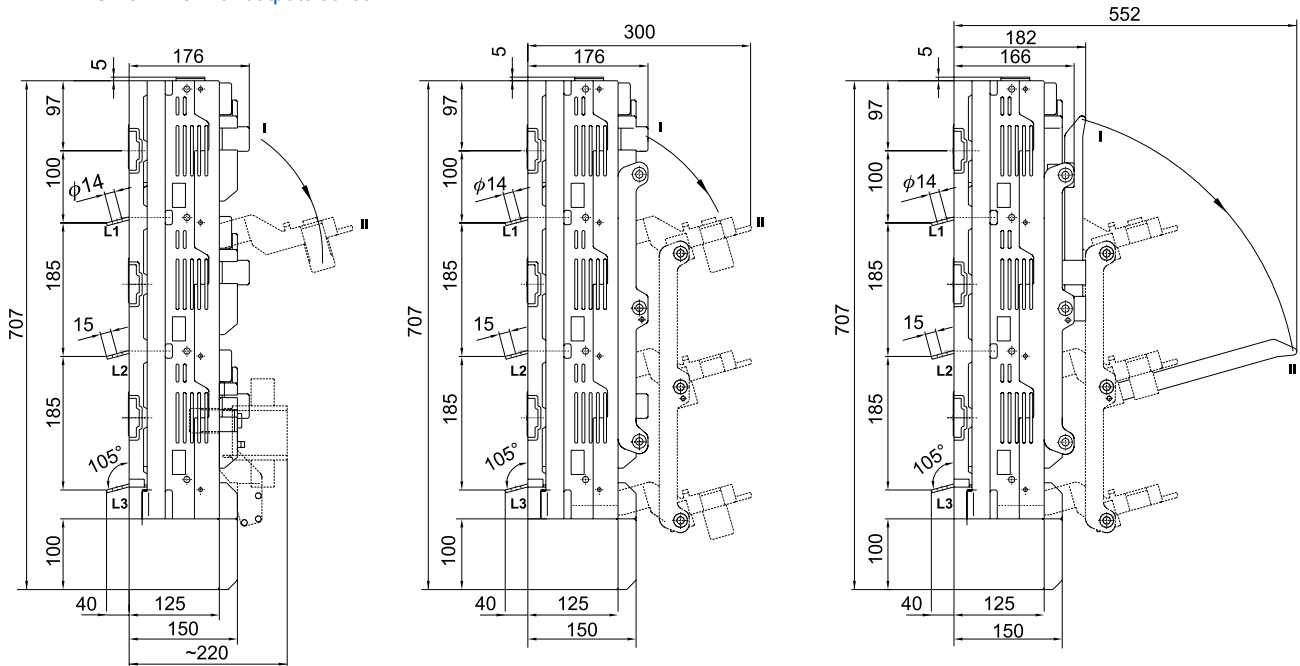













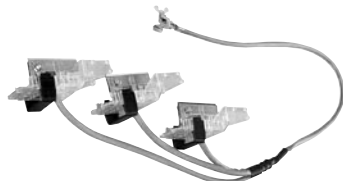


TABLE 20. ACCESSORIES TO:

ARS 1 250 A 690 V~
 ARS 2 400 A 690 V~
 ARS 3 630 A 690 V~

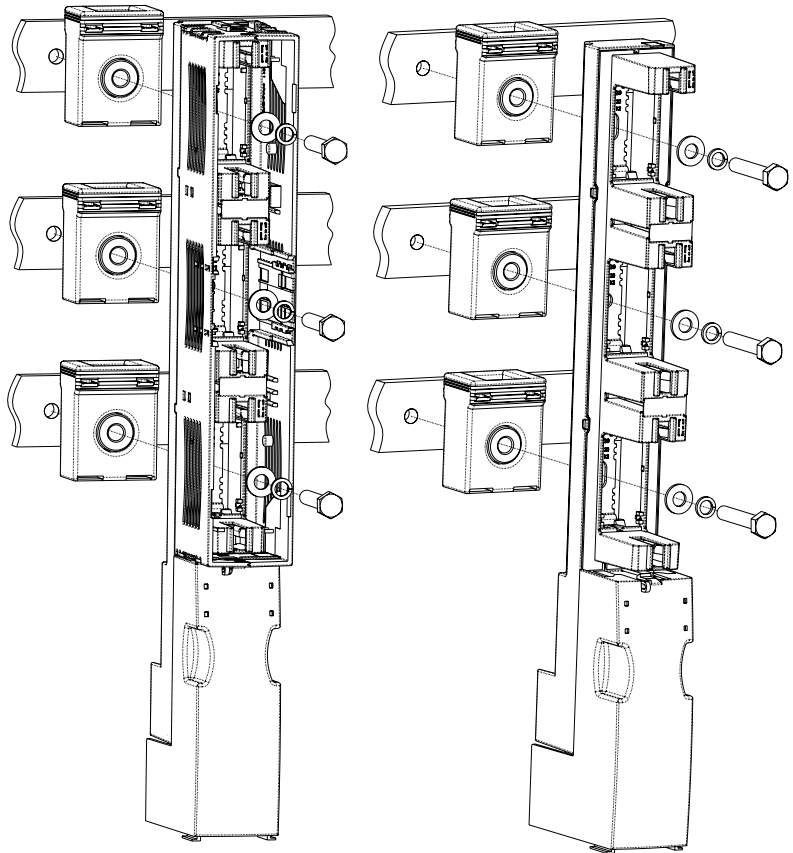
Designation/ Item no.	Description	Picture
S	Bridge clamp – strip to be fixed to apparatus by two M8 bolts in order to fix conductor with bare end and with cross-section from 70 mm ² to 240 mm ²	
M	M10 bolt to connect cable terminals	
1V0240 1119510001T	V – Clamp for direct connecting a wire of cross section from 35 mm ² up to 240 mm ²	
2V0240 1119510007T	V – Double clamp for direct connecting wires of cross section from 35 mm ² up to 240 mm ²	
VL240 1119510002T	VL – terminal for direct connecting wire of cross-section from 35 mm ² up to 240 mm ²	
1361400006T	Cover for spare room on bus bars with spacing of 185 mm, width 50 mm, length 562 mm, sickness 3 mm	
1361400001T	Isolating pin for cover to be fixed with width of 50 mm M8	
1361400007T	Cover for spare room on bus bars with spacing of 185 mm, width 100 mm, length 562 mm, sickness 3 mm	
1361400002T	Isolating pin for cover to be fixed with width of 100 mm. M12	
51-822492-011 51-836413-011	Cover for cable terminals (2 parts)	
1115718005T	ASR 22.3. current transformer. Accuracy class 1 Current ratio: from 50/5 A to 600/5 A	
1115718010T	Distance sleeve for ASR 22.3 current transformers length 36 mm, outer dia. Φ22,5 mm, inner dia. Φ12,5 mm	
	Designation label	
63-822645-011	Earthing covers (one set)	

**THREE PHASE CURRENT MEASUREMENT
ARS fuse switch disconnecter**



ARS mounted with current transformers

DRAWING 16. ARS mounted with current transformers



Current transformer



Bush for current transformers

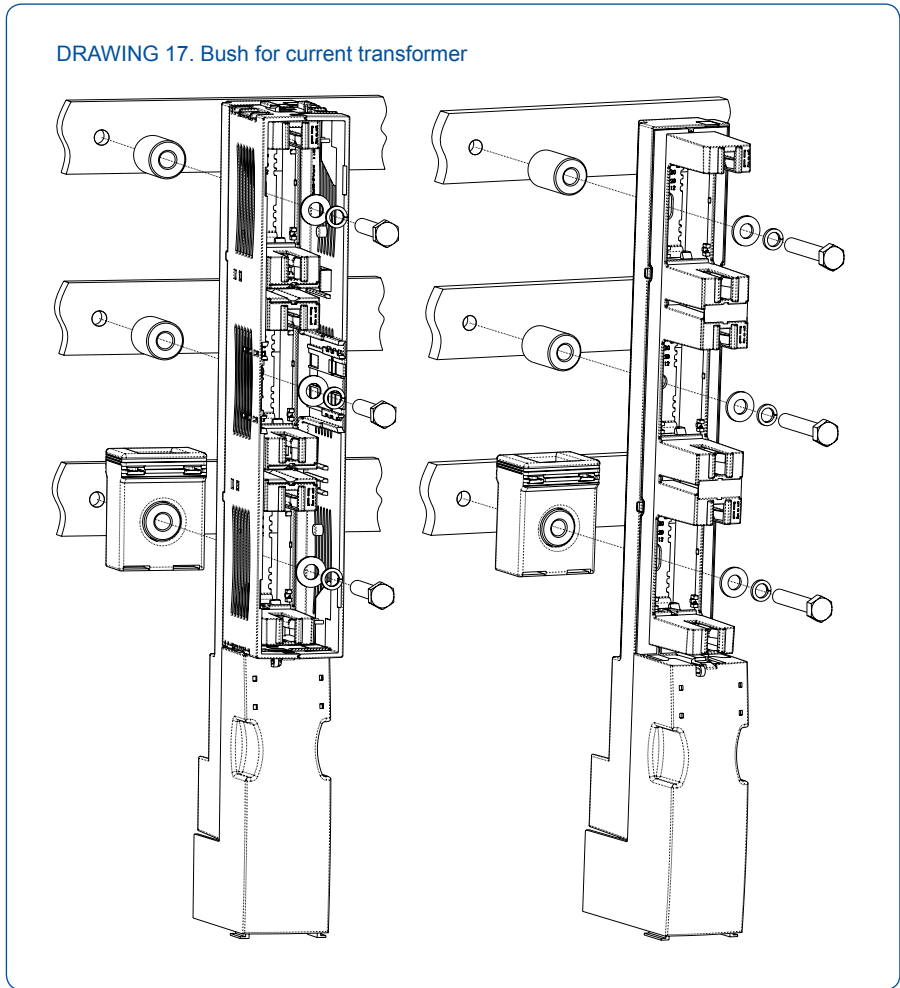
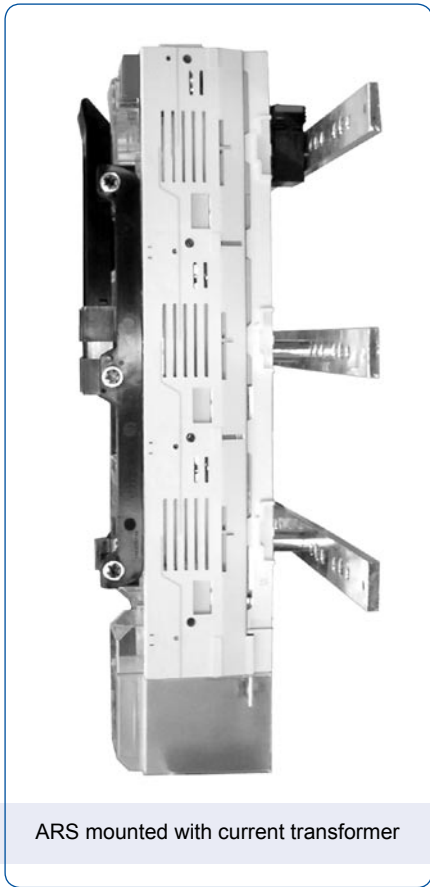
**Fuse switch disconnectors
ARS 1/250 A; ARS 2/400 A; ARS 3/630 A**

CURRENT TRANSFORMER ASR22.3 with gears: 50A/5A, 100A/A, 150A/5A, 200A/5A, 250A/5A, 300A/5A, 400A/5A, 500A/5A, 600A/5A
dimensions: a = 61 mm; b = 35 mm; c = 78,5 mm
bush: 36 mm long, f inside 12,5 mm, f outside 22,5 mm
accuracy class = 1

**Fuse switch disconnectors
ARS 00/160 A**

CURRENT TRANSFORMER ASR21.3 with gears: 100A/5A, 150A/5A
dimensions: a = 48,5 mm, b = 35 mm, c = 65 mm
bush: 36 mm long, f inside 12,5 mm, f outside 22,5 mm
accuracy class = 1

SINGLE PHASE CURRENT MEASUREMENT
ARS type fuse switch disconnecter



Fuse switch disconnectors
ARS 1/250 A; ARS 2/400 A; ARS 3/630 A

CURRENT TRANSFORMER ASR22.3 with gears: 50A/5A, 100A/A, 150A/5A, 200A/5A, 250A/5A, 300A/5A, 400A/5A, 500A/5A, 600A/5A
 dimensions: a = 61 mm; b = 35 mm; c = 78,5 mm
 bush: 36 mm long, f inside 12,5 mm, f outside 22,5 mm
 accuracy class = 1

Fuse switch disconnectors
ARS 00/160 A

CURRENT TRANSFORMER ASR21.3 with gears: 100A/5A, 150A/5A
 dimensions: a = 48,5 mm, b = 35 mm, c = 65 mm
 bush: 36 mm long, f inside 12,5 mm, f outside 22,5 mm
 accuracy class = 1

Distributed by:



TransNet NZ Limited
78 Cryers Road, East Tamaki
Auckland, 2013

sales@transnet.co.nz / +64 9 274 3340 / www.transnet.co.nz